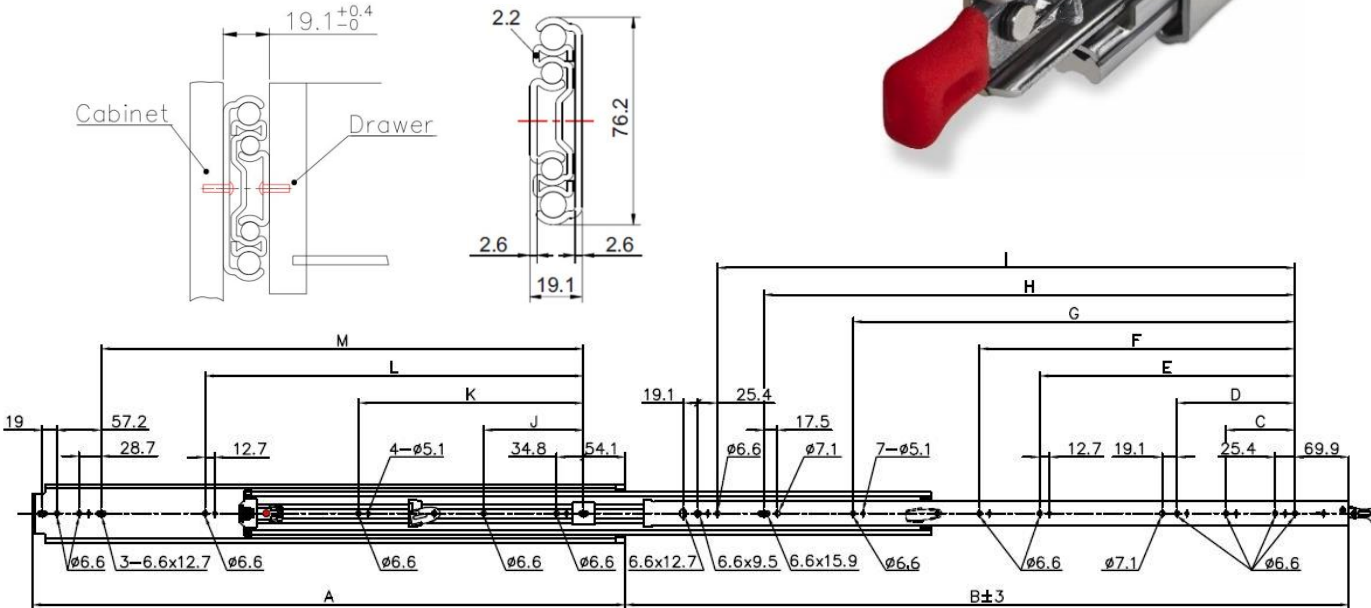


L76131

- ☉ Lock-in / Lock-out
- ☉ Extra Heavy-Duty, Full Extension
- ☉ Up to 660 lbs [300 kgs] Load Capacity
- ☉ Optional Accessory Platform Brackets



Item No.	A(mm)	B(mm)	C(mm)	D(mm)	E(mm)	F(mm)	G(mm)	H(mm)	I(mm)	J(mm)	K(mm)	L(mm)	M(mm)
L76131-14	355.6	355.6	-	-	-	-	-	-	166.6	-	-	-	212.6
L76131-16	406.4	406.4	88.9	-	-	-	-	-	217.4	-	-	-	263.4
L76131-18	457.2	457.2	88.9	-	-	-	-	-	268.2	-	-	-	314.2
L76131-20	508	508	88.9	-	-	-	-	258.8	319	-	-	-	365
L76131-22	558.8	558.8	88.9	152.4	-	-	-	309.6	369.8	-	-	-	415.8
L76131-24	609.6	609.6	88.9	152.4	-	-	-	360.4	420.6	-	-	-	466.6
L76131-26	660.4	660.4	88.9	152.4	-	-	-	411.2	471.4	-	-	-	517.4
L76131-28	711.2	711.2	88.9	152.4	-	-	-	462	522.2	-	-	-	568.2
L76131-30	762	762	88.9	152.4	-	-	-	512.8	573	193.6	-	460.3	619
L76131-32	812.8	812.8	88.9	152.4	-	-	-	563.6	623.8	193.6	352.3	511.1	669.8
L76131-34	863.6	863.6	88.9	152.4	330.2	431.8	-	614.4	674.6	193.6	377.7	561.9	720.6
L76131-36	914.4	914.4	88.9	152.4	330.2	482.6	-	665.2	725.4	193.6	403.1	621.7	771.4
L76131-38	965.2	965.2	88.9	152.4	330.2	482.6	-	716	776.2	193.6	428.5	663.5	822.2
L76131-40	1016	1016	88.9	152.4	330.2	-	-	766.8	827	193.6	504.7	714.3	873
L76131-42	1066.8	1066.8	88.9	152.4	330.2	-	-	817.6	877.8	193.6	504.7	765.1	923.8
L76131-44	1117.6	1117.6	88.9	152.4	330.2	453.8	-	868.4	928.6	193.6	504.7	815.9	974.6
L76131-46	1168.4	1168.4	88.9	152.4	330.2	482.6	787.4	919.2	979.4	193.6	530.1	866.7	1025.4
L76131-48	1219.2	1219.2	88.9	152.4	330.2	482.6	787.4	970	1030.2	193.6	555.5	917.5	1076.2
L76131-50	1270	1270	88.9	152.4	330.2	482.6	787.4	1020.8	1081	193.6	555.5	917.5	1127
L76131-52	1320.8	1320.8	88.9	152.4	330.2	482.6	787.4	1071.6	1131.8	193.6	555.5	917.5	1177.8
L76131-54	1371.6	1371.6	88.9	152.4	330.2	482.6	787.4	1122.4	1182.6	193.6	555.5	917.5	1228.6
L76131-56	1422.4	1422.4	88.9	152.4	330.2	482.6	787.4	1173.2	1233.4	193.6	555.5	917.5	1279.4
L76131-58	1473.2	1473.2	88.9	152.4	330.2	482.6	787.4	1224	1284.2	193.6	555.5	917.5	1330.2
L76131-60	1524	1524	88.9	152.4	330.2	482.6	1092.4	1274.8	1335	193.6	555.5	917.5	1381

- ☉ **Width:** 19.1mm (0.75 inch)
- ☉ **Height:** 76.1mm (3 inch)
- ☉ **Installation space:** 19.1 +0.4/-0 mm
- ☉ **Length:** 14" (355mm) through 60" (1,524mm)
- ☉ **Extension:** Full-Extension(100%)
- ☉ **Mounting:** Side-mounting
(M5 or M6 Pan/Button Head Screws)
- ☉ **Loading Capacity:** Up to 300kgs / 660lbs per pair. Slides mounted in a 24" wide drawer in a horizontal position (300kg based on 20 inches, guaranteed 10,000 cycles)
- ☉ **Finish:** RoHS compliant Zinc Plated (Cr3+, up to 72 hours NSS TEST corrosion resistance, custom-made optional up to 500 hours by request)



 **☉ Maximum load capacity (Side mounting only):**

Length (mm)	Max. Loading (kg)	Length (mm)	Max. Loading (kg)
305	170	965	270
355	170	1016	270
406	220	1067	240
457	290	1117	240
508	290	1168	240
559	300	1219	220
609	300	1270	220
660	300	1321	210
711	300	1372	210
762	270	1422	190
813	270	1473	190
863	270	1524	180
914	270	-	-

 **☉ Moderate use:**

Load rating per pair: 660 lbs (300 kgs), based on a 20" (558.8 mm) slide in a 24" (609.6 mm) wide drawer, tested over 10,000 cycles.

Usage frequency varies: A computer server storage unit may be cycled once per month, while electronic instrumentation may be cycled several times weekly.

 **☉ Frequent use:**

50,000 cycles under 66% max. loading

Applications: Storage cabinet , heavy tool cabinet.

 **☉ Material of Slide:**

Slide material: Cold rolled steel

Ball Bearings: Carbon steel

Ball strip material: Nylon



☉ Do not dismantle the slide.

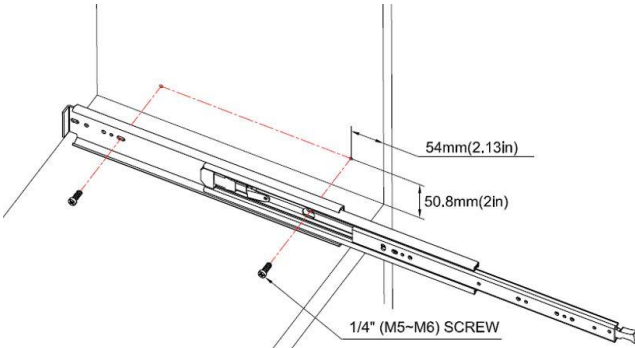
☉ The stoppers on the members are not designed to handle impact loads. Be certain to provide external stoppers at the stroke ends.

☉ L76131 is not suitable for flat mounting. For flat mounting requirement, please contact Sunchain for more information.



Installation guide:

Step 1: Installing the cabinet member, first press the locking lever down and fully extend the slides, then access the mounting holes on outer member. Be sure slides are in parallel. Insert the 1/4" pan head screws (M5 or M6) through the horizontal slots. See Figure #1



Step 1

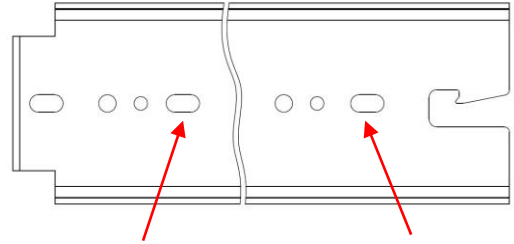
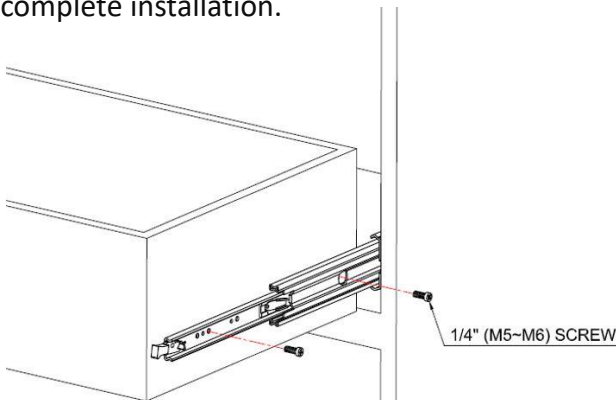


Figure #1

Step 2: Installing the inner member, attach the drawer to the extended inner members with pan head screws (M5 or M6) inserted through the round/vertical slot. See Figure #2.

Leave all screws loose for final adjustment. Adjust slide positions until movement is smooth. Then tighten all screws; if necessary, use more screws to secure slides and complete installation.



Step 2

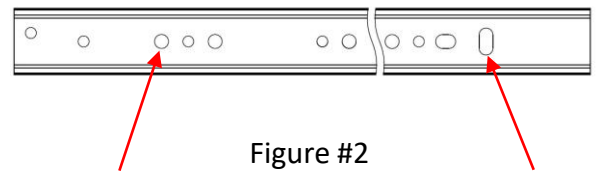
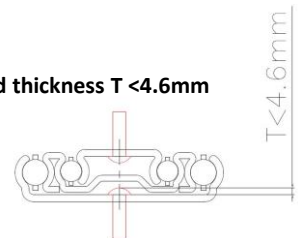


Figure #2

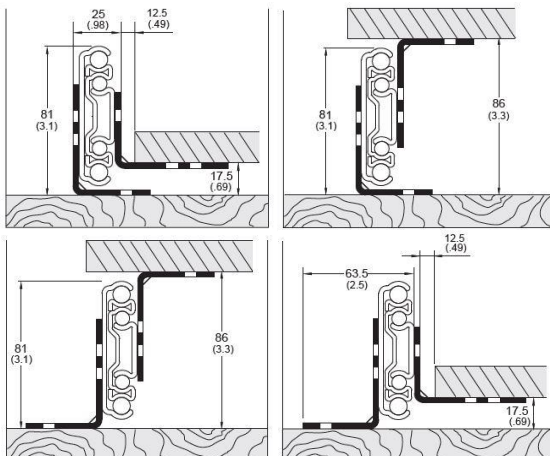


Ⓢ Pan head thickness $T < 4.6\text{mm}$



Optional accessory platform bracket:

Brackets provide four bottom-mount options. one bracket attaches to the slide outer member and the cabinet base. The other bracket attaches to the slide inner member and the platform or tray. please contact Sunchain for more information.



Ⓢ If left side slide is mounted on the right side, the locking lever can be lifted up instead. With the same effect on the opposite side.

